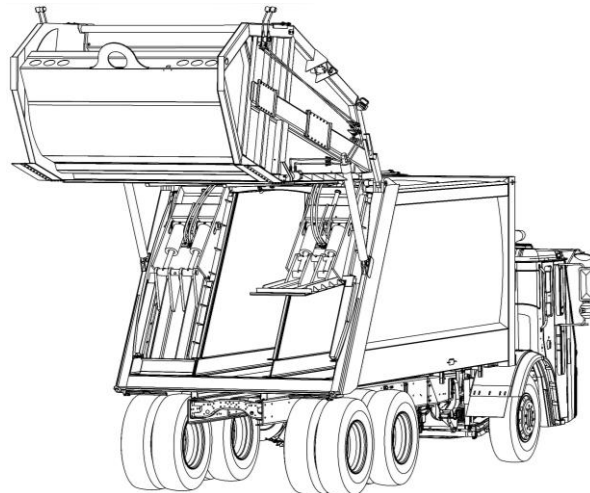
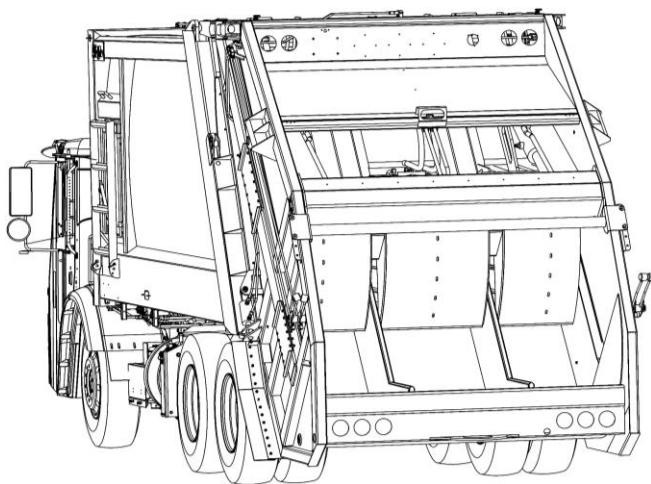


# Airflo®

## TRI-MAX™ PACKER

### — 3 COMPARTMENT REAR LOADER —



- Optimize your recycling route with the world's first 3 compartment rear load packer.
- The simple and strong 3 compartment rear load design is made to stand up to many years of heavy duty use.
- Maximize loading efficiencies with the Tri-Max's low inner tailgate compartment wall height that allows the operator to load the tailgate from many different loading angles.

#### BODY DIMENSIONS

Body Capacity	25 YD
Overall Length with Tailgate	295"
Overall Width	102"
Height Above Frame Weight	95"
Weight (Approx.)	22,000 #

#### TAILGATE SPECIFICATIONS

Hopper Capacity	3.1 YD
Load Sill Height	10.75"
(Below Chassis Frame Height)	
Left & Right Hopper Width	24.5"
Center Hopper Width	32"

#### HYDRAULIC SPECIFICATIONS

Pump	Tandem Parker/Denison Vane Pump
Reservoir	Steel 120 Total Volume 75 usable
Return Filter	3 micron
Suction Strainer	100 mesh
Filter Breather	10 micron
Valves	
Body	7 section Parker VA 20
Tailgate	2 section Parker VA 35
Cylinders	
Ejector (3)	4 stage 7.25" bore x 150"
Blade (2)	5.5" x 4.5" x 15"
Slide (2)	5" x 3" x 34.625"
t/g Raise (2)	3" - Single Acting 47
t/g Lock (2)	3" x 1 3/8"



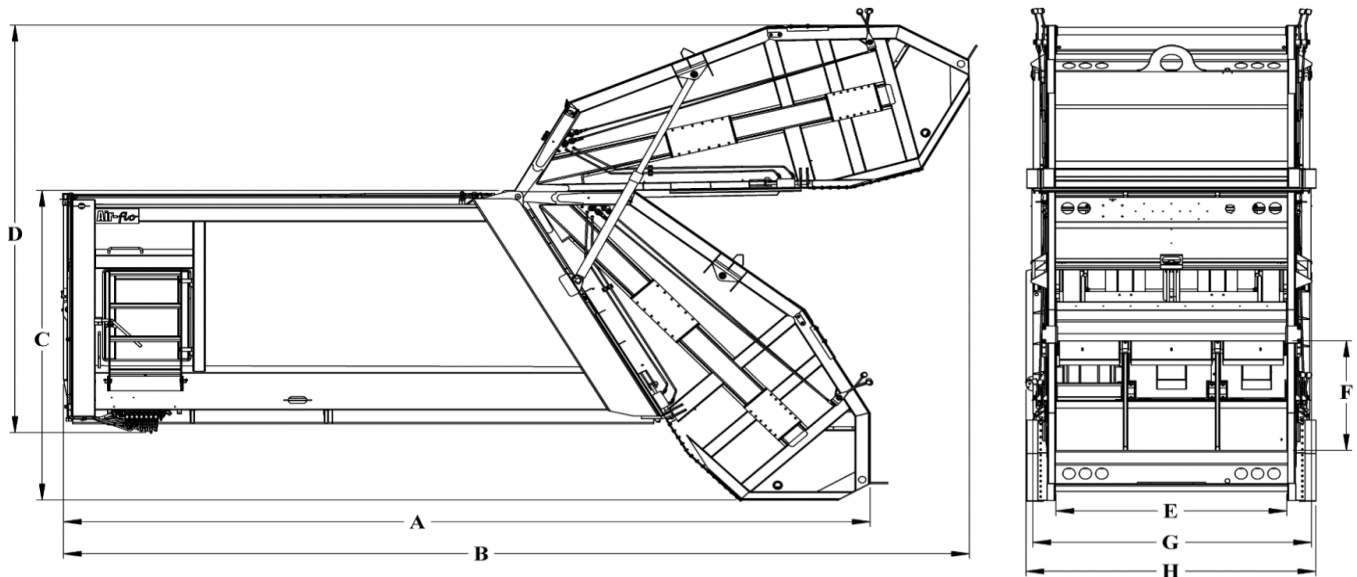
# TRI-MAX<sup>TM</sup> Packer

## BODY CONSTRUCTION

Side Walls	10 Ga Hardox
Floor	10 GA 100K PSI Steel
Roof	10 GA 100K PSI Steel
Hopper Floor	3/8" Abrasion Resistant Steel
Blade Face	1/4" 80K PSI Yld High Strength Steel
Slide Face	3/16" 80K PSI Yld High Strength Steel
Tailgate Sides	10 Ga Hardox
Inner Walls	10 Ga Hardox

## PERFORMANCE SPEC

Compaction Ratio	1000#/YD
Packer Cycle Time	25 sec
Blade Extend	6 sec
Blade Retract	2 sec
Slide Extend	7 sec
Slide Retract	11 sec
Ejector Extend	35 sec
Ejector Retract	20 sec



## DIMENSIONS

- (A) Overall Length, Tailgate Closed (Excluding Tow Ring) = 295"
- (B) Overall Length, Tailgate Raised (Excluding Tow Ring) = 331.5"
- (C) Overall Height, Tailgate Closed = 126.5"
- (D) Overall Height, Tailgate Raised = 166.5"
- (E) Inside Hopper Width = 84.5"
- (F) Hopper Opening Height = 44.5"
- (G) Overall Body Width = 102"
- (H) Overall Width = 106"



Air-Flo Manufacturing  
Elmira, NY 14903  
607-733-8284  
www.air-flo.com

US & International Patents Pending